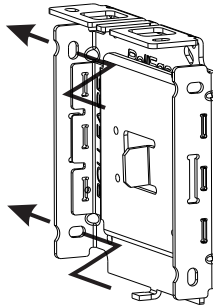
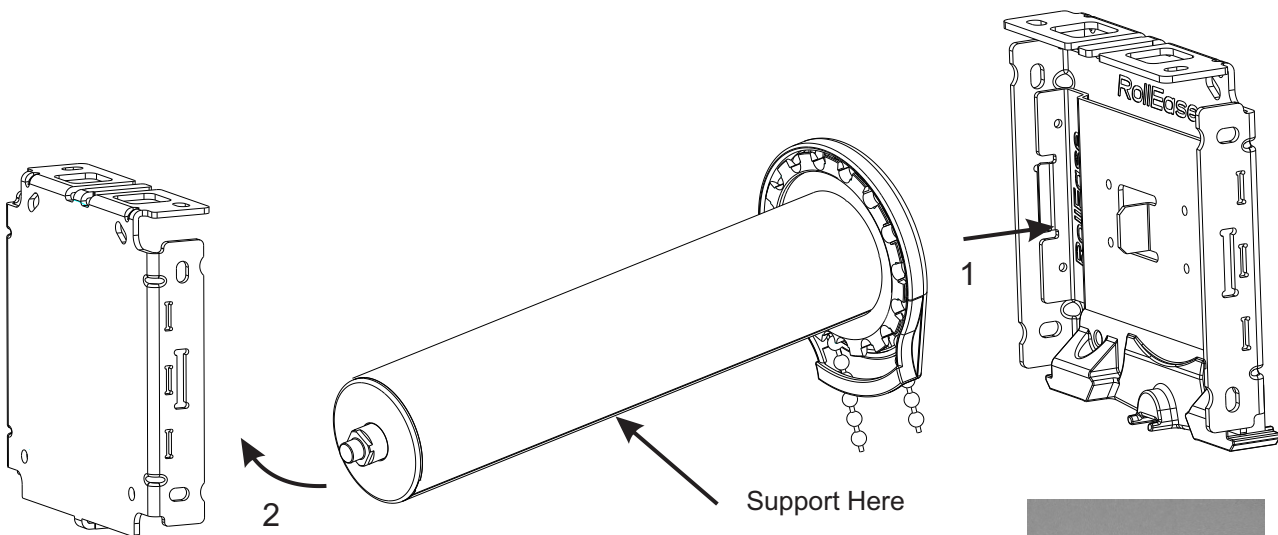


## Single 5" Fascia Installation instructions Outside or Wall Mount

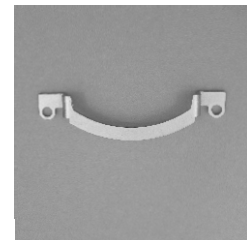
1. Install brackets as required using proper anchors and fasteners.



2a. Install the clutch end of the shade first and then the idler end.  
The shades should not be supported by the clutch alone as this could cause damage to the clutch. The installation team should support the shade as it is being completely seated into the bracket set.



2b. Install chain guide if applicable.

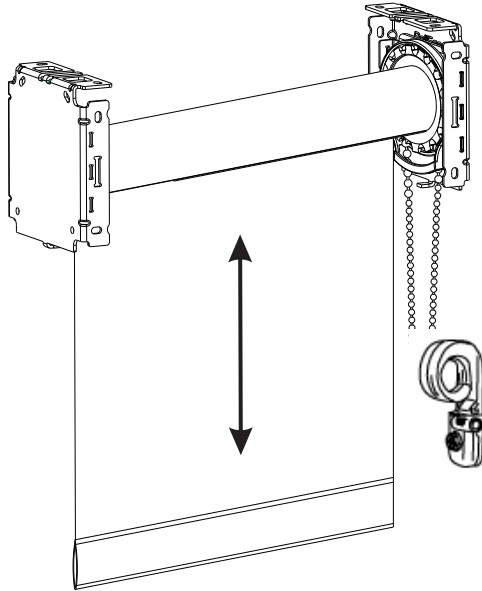


Used with R24 Clutch

## Single 5" Fascia Installation instructions

### Outside or Wall Mount

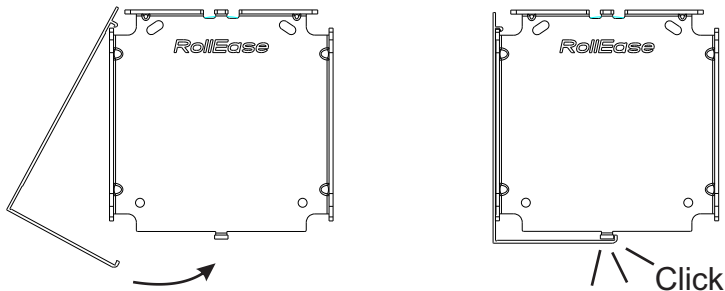
3. Lower and raise the shade to confirm smooth operation including proper setting of the stops. Confirm control chain is routed properly through the chain diverter and guide (if used).



4. Chain/Cord tension devices should be carefully and properly installed.



5. Attach the fascia by hooking the top lip of the long side of the fascia panel onto the bracket as shown. Swing the bottom of the fascia panel toward the bracket and firmly press at the bottom of the panel until the bottom lip on the fascia engages the center bottom tab of the bracket.



## Single 5" Fascia Installation instructions Outside or Wall Mount

6. If using end caps, snap end caps over brackets and fascia.  
Test shade operation again. Your shade is now installed  
and ready to use.

