

COMMERCIAL ROLLER SHADE LARGE 5" FASCIA

2v Low Voltage / Solar / Li-Ion Motorized Control



The Rollease Acmeda Contract Large Fascia system is the most comprehensive shading system available. With a myriad of powering options our commercial duty Contract Series One system supports low voltage powering through custom power panels, plug in transformers, solar powered PV arrays or our game changing rechargeable Li-ion internal batter system. The 5" system offers a robust, large shade system with a smooth operation that can handle shades up to 16' wide and up to 280 sq.ft. before linking. Significantly heavier motor side features provide maximum security for larger applications. The perfect solution for internal commercial applications; the Contract Series One Large System creates new opportunities to achieve larger, more impactful shades.

Features:

- Max width of 16' (based on 18' drop). Capacity to cover areas up to 280 sq.ft. before linking.
- Linking options for single and dual shade configurations.
- Automate motor Ultra-quiet operation with ARC bi-directional communication.
- Optional solar panel for environmentally forward, energy efficient constant system charging.
- Accepts standard or reverse roll configurations for versatile and efficient installation.
- Optional Reverse Fascia / Top Back Cover for increased light control and to conceal hardware from street view.
- Heavy Duty "Silent Pin" Idler – 10mm steel locking idler with bronze steel bushing for silent operation and heavy-duty security.
- Powder coated steel box brackets made of 13 Gage Steel w thickness of .090" (2.28mm).



FINISH COLORS:
white, gray, brown



Match this solution with any of our screen, blockout or high performance fabrics for a complete finished solution.

MOTOR OPTIONS



Automate Wall Switches



DC Power Panel

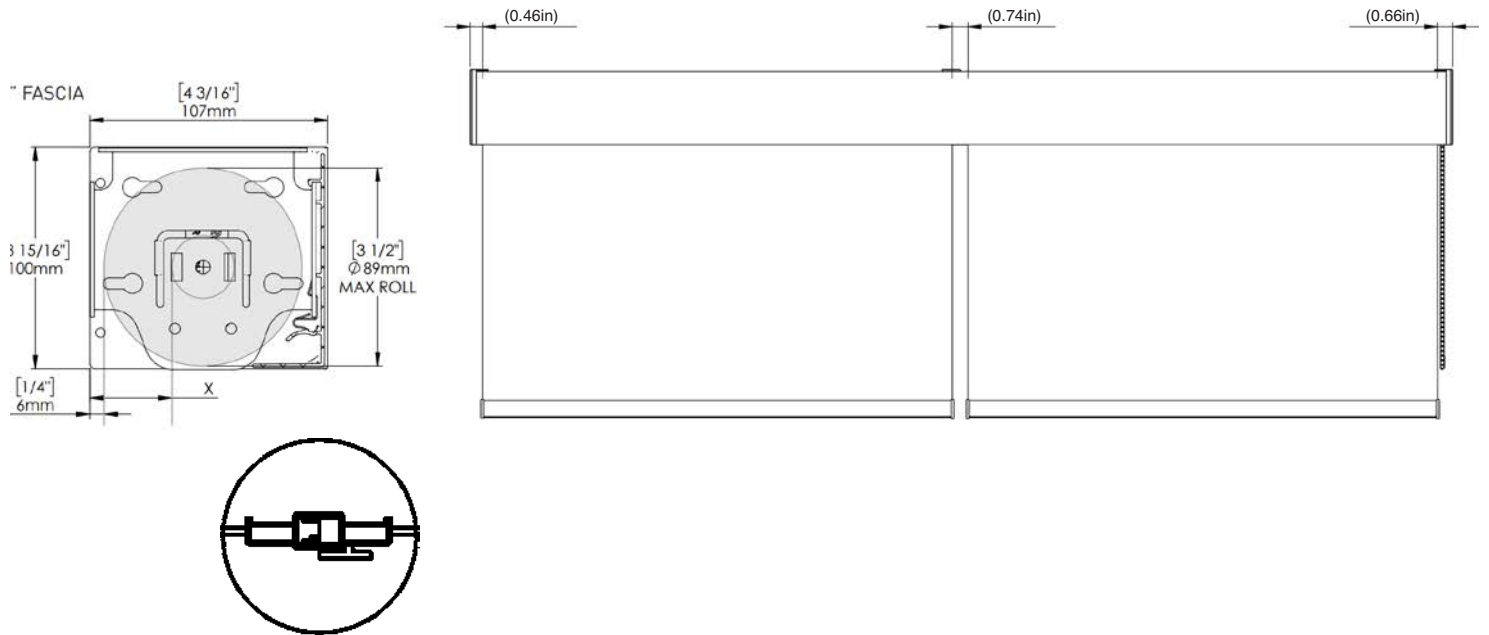


Automate Solar Charger



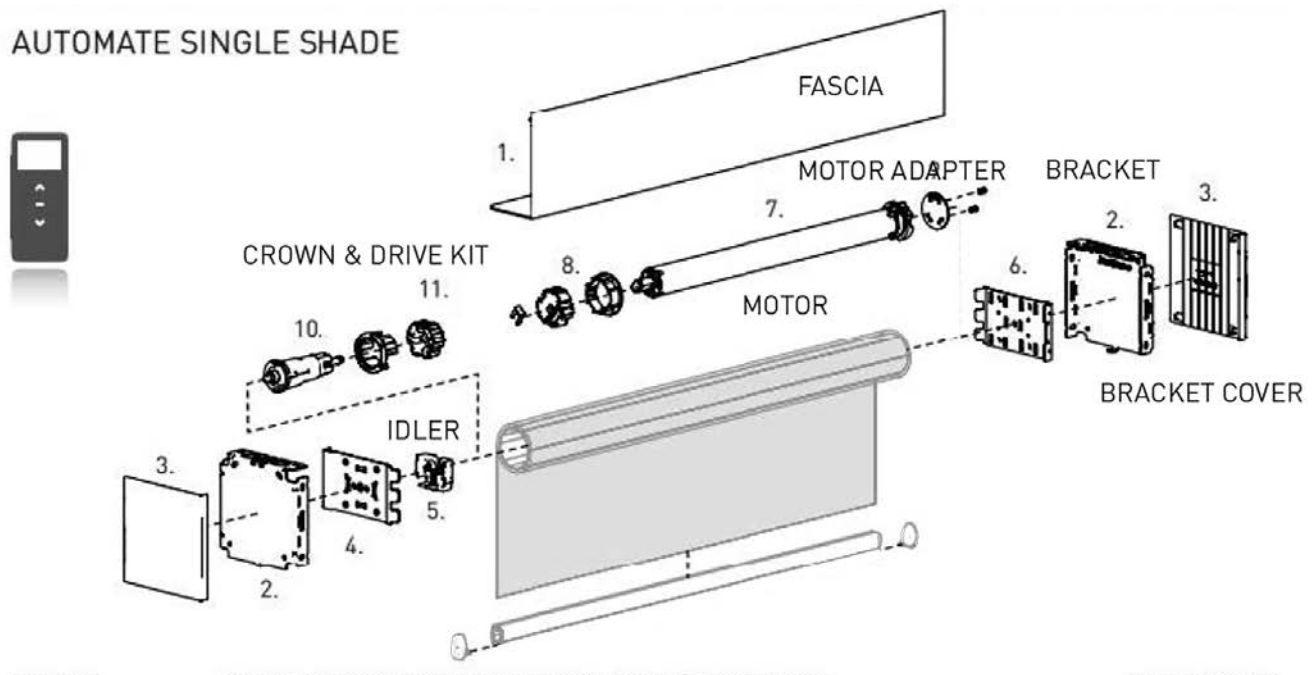
Automate Pulse

FRONT & SIDE VIEW



SCHEMATIC

AUTOMATE SINGLE SHADE



SYSTEM UPGRADES



5" Pocket
(for hidden recess mounts)



Edge Side Channels
(for improved light blackout)