

# COMMERCIAL ROLLER SHADE

## MEDIUM 3" FASCIA

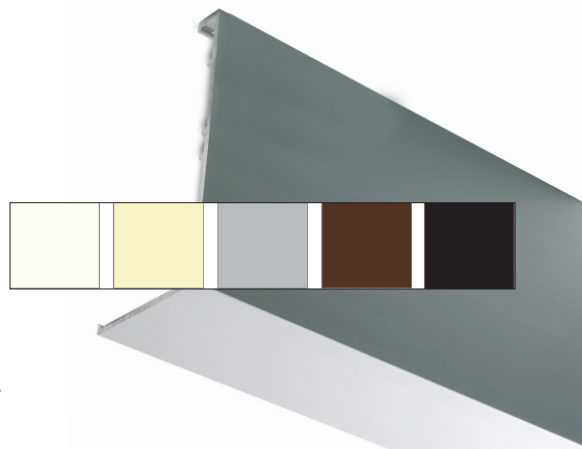
### MANUAL CLUTCH CONTROL



The Contract Series one medium fascia roller shade features a modern square cover, concealing the hardware for an aesthetically pleasing solution. Designed to deliver a simple user experience, this system is constructed with a sturdy fiberglass base scrim, enables complete thermal and light control, and embraces a sophisticated aesthetic. With minimal light gaps, increased privacy, view through and sustainability, setting the benchmark for natural light management.

#### Features:

- Commercial grade aluminum fascia is powder coated or anodized for durability.
- Enables view through and privacy with minimal light gaps
- Enhances sustainability and efficiency with complete light and thermal control.
- Stainless chain rated to 120 pound pull force.
- Built-in chain diverter for a notch-less design.
- Clutch disengages to 90% of holding capacity.
- Single & linked shade applications.
- Max width of 120" (based on 120" drop) before linking. Capacity to cover areas up to 100 sqft.



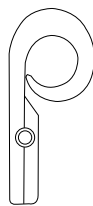
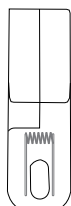
**FINISH COLORS:**  
White, antique white, gray, brown, black



Match this solution with any of our screen, blockout or high performance fabrics for a complete finished solution.

## CHILD SAFE OPTIONS

Chain Tension Device



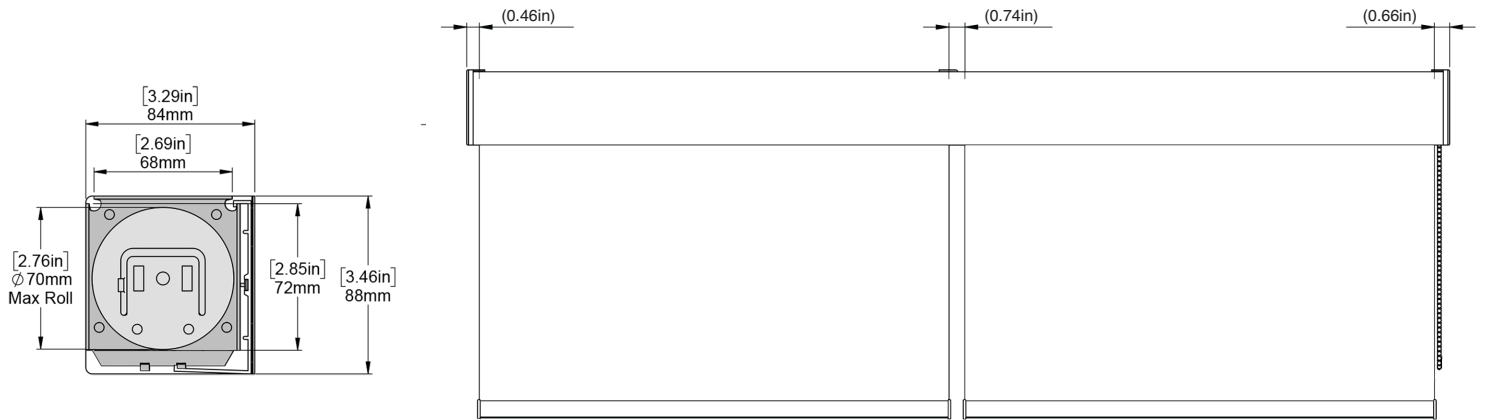
## CHAIN OPTIONS

Stainless Steel or NPS

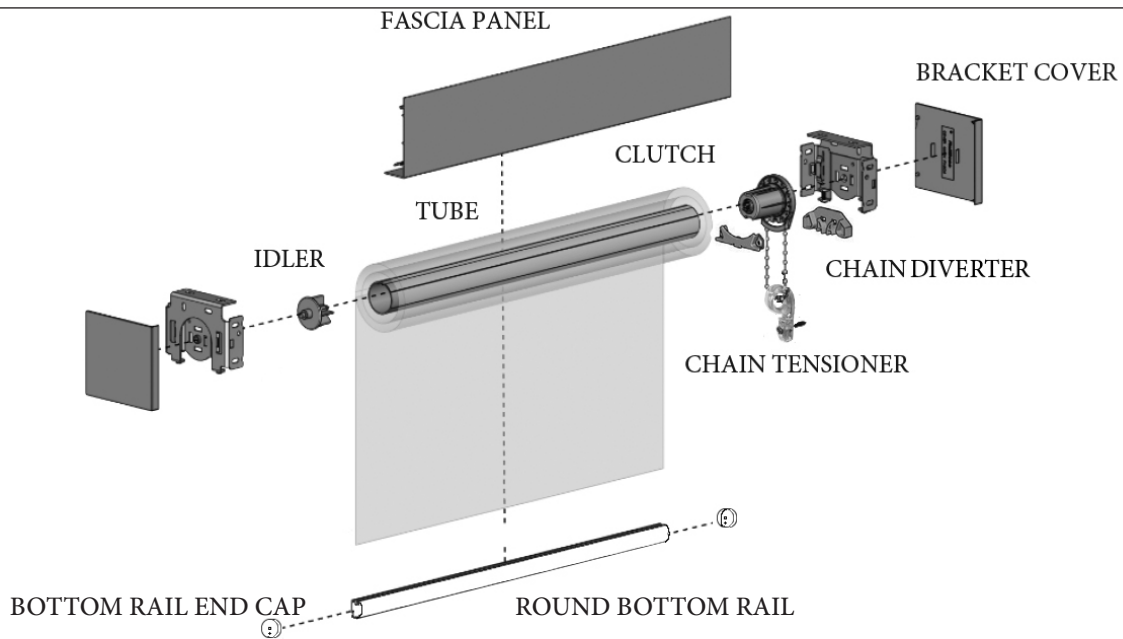


APPROXIMATELY 50-51 BALLS PER FOOT  
• Nickel plated steel: Avg. Tensile strength 50 lbs  
• Stainless Steel: Avg. Tensile Strength 120 lbs

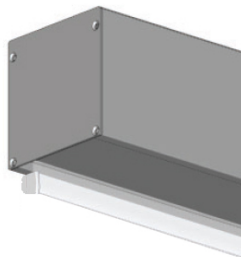
## FRONT & SIDE VIEW



## SCHEMATIC



## SYSTEM UPGRADES



**5" Pocket**  
(for hidden recess mounts)



**Edge Side Channels**  
(for improved light blackout)